

DS1501 CI

Rythmik
Audio

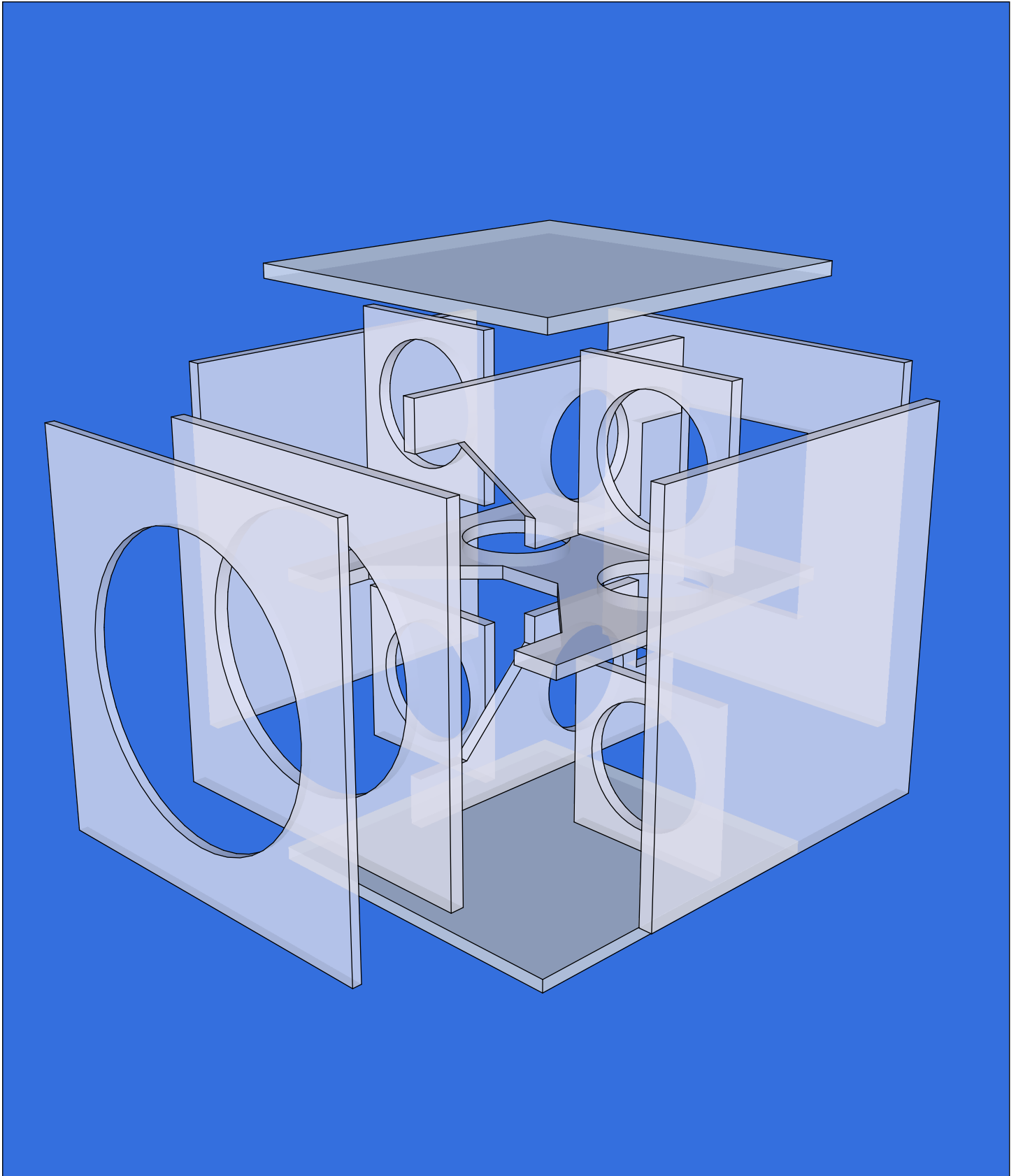
Rythmik Audio DS1501 CI

4 cu ft. sealed enclosure

Dimensions: 21"(W) x 21"(H) x 21 3/4"(D)

Material: 3/4" MDF and 1/2" MDF

©2011 luma@svideo.org

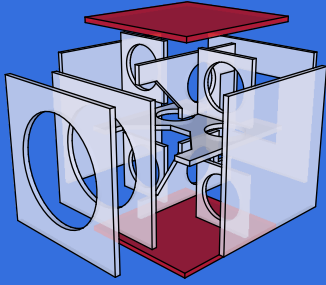


DS1501 CI

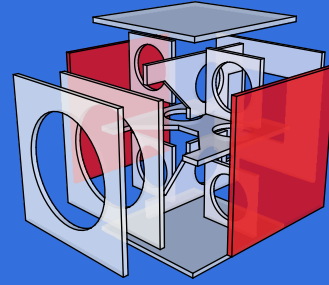
Rythmik Audio

Exploded Model

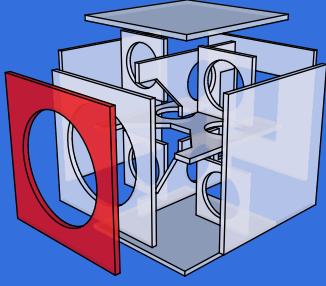
Top/Bottom



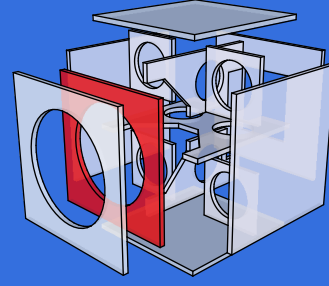
Sides



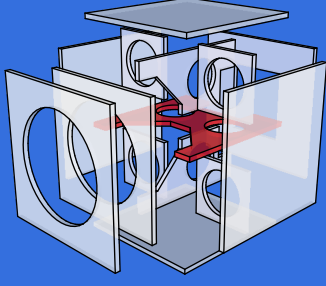
Outer Front Baffle



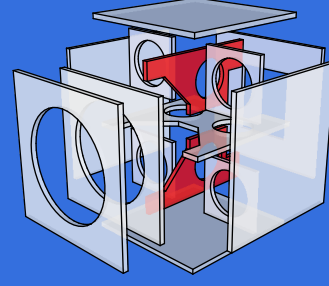
Inner Front Baffle



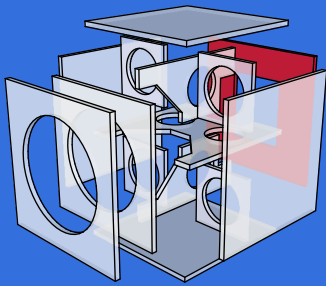
Inner Horizontal
Brace



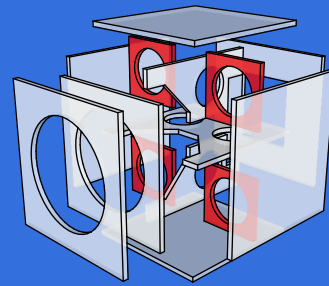
Inner Vertical
Braces



Back



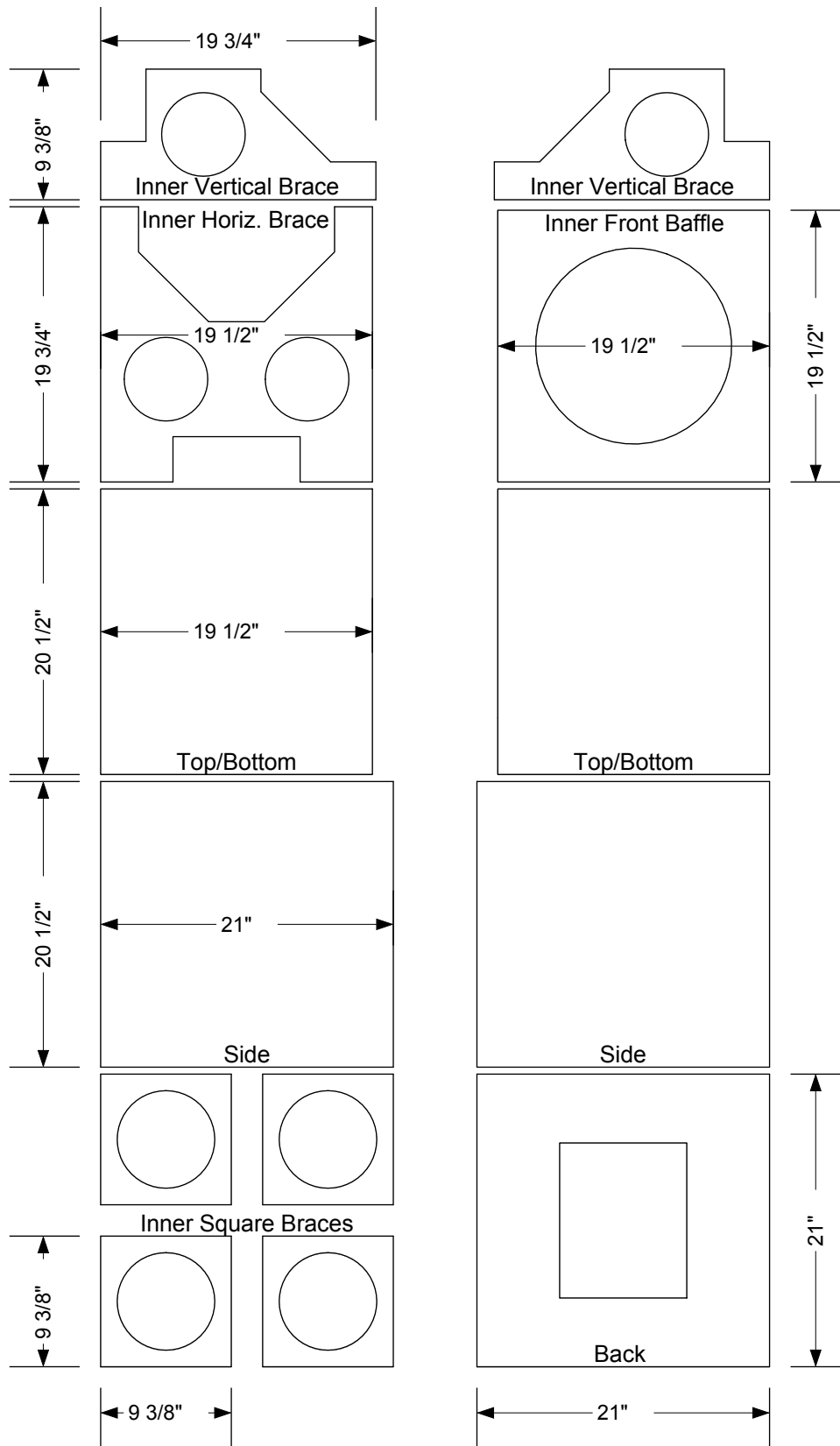
Inner Square
Braces



DS1501 CI

Rythmik Audio

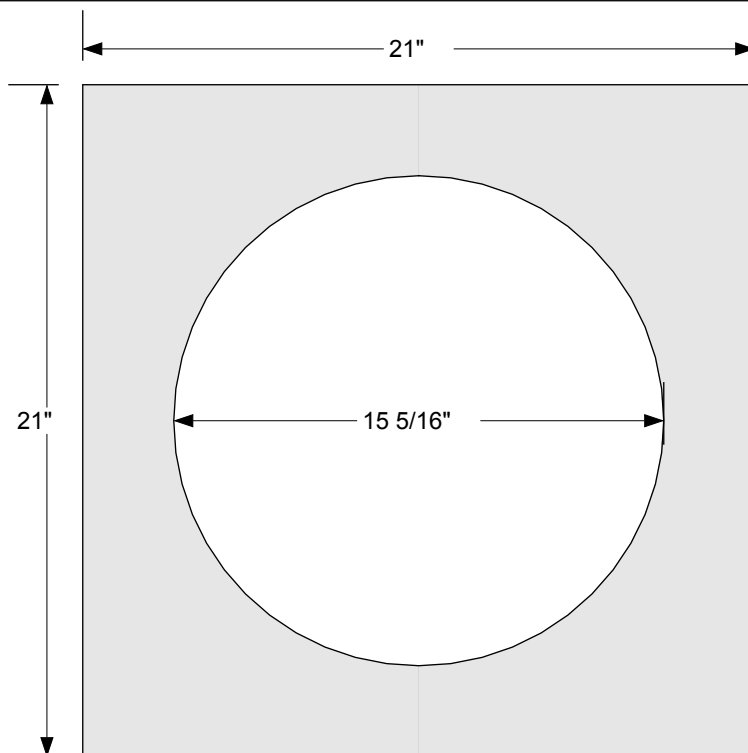
Detailed Part View
Part positioning and name reference



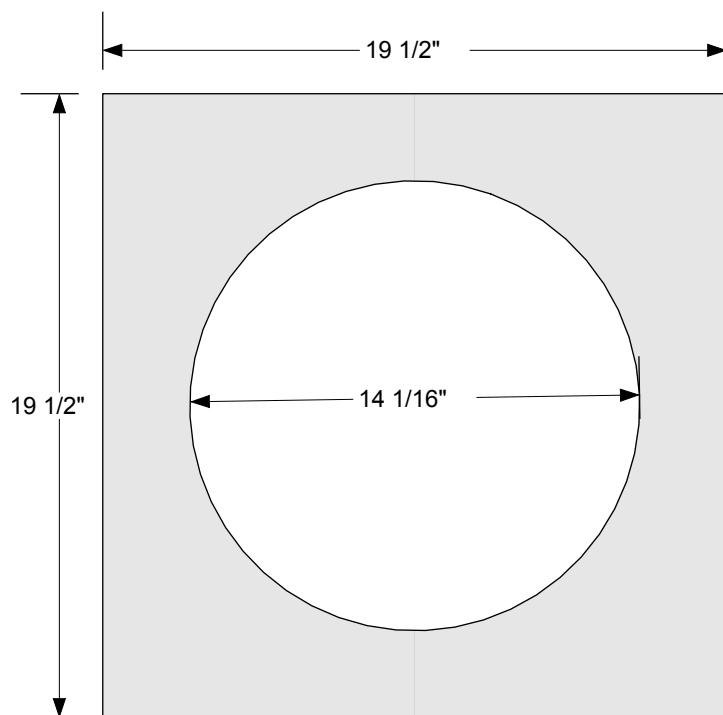
3/4" Cut Sheet

- Cut from 3/4" MDF or equiv.
- Dimensions fit to 4x8 sheet
- Cut sheet includes all parts except the Outer Front Baffle (next page).

Outer Front Baffle
Cut from 1/2" sheet



Inner Front Baffle



SCALE 1:6

DS1501 CI

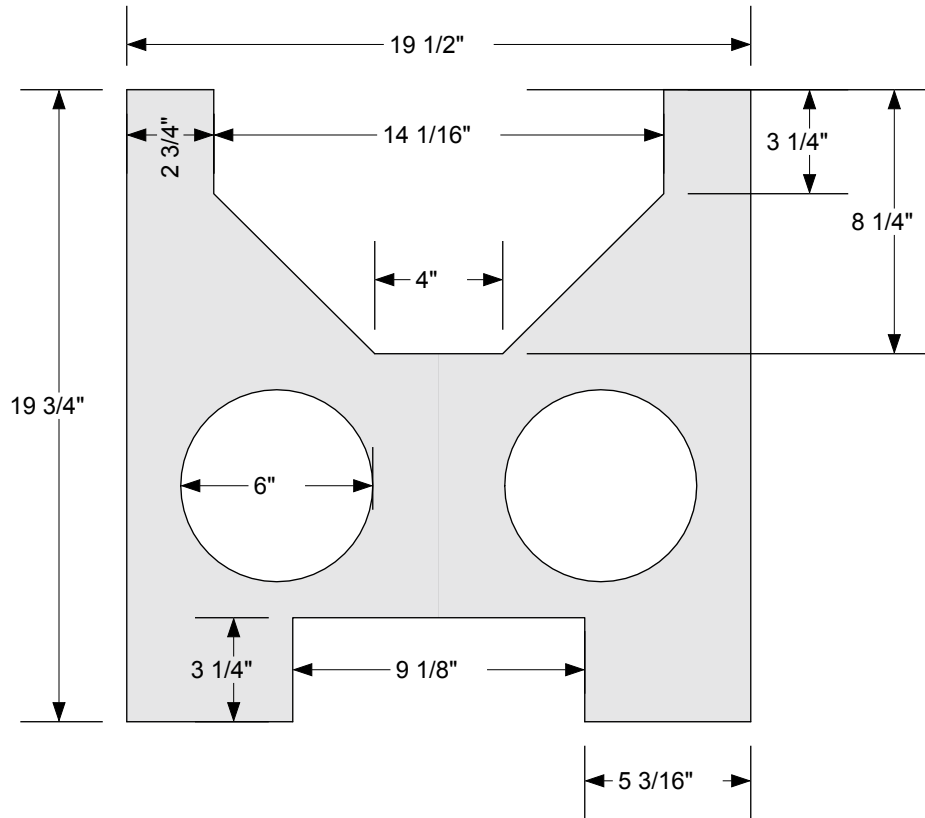
Rythmik
Audio

Outer/Inner Front Baffles

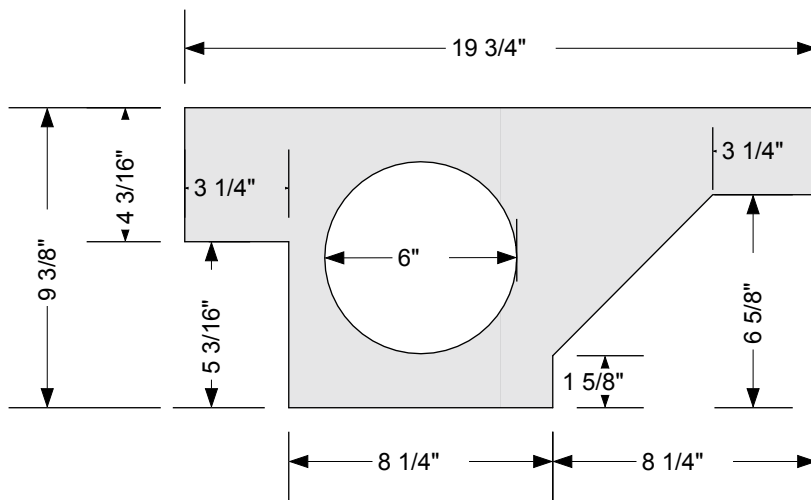
- Cut Outer Front Baffle from 1/2" MDF or equiv. for 1/2" recess on DS1501 driver.
- Cut Inner Front Baffle and all other parts from 3/4" sheet (previous page).

©2011 luma@svideo.org

Inner Horizontal Brace



Inner Vertical Brace



SCALE 1:6

DS1501 CI

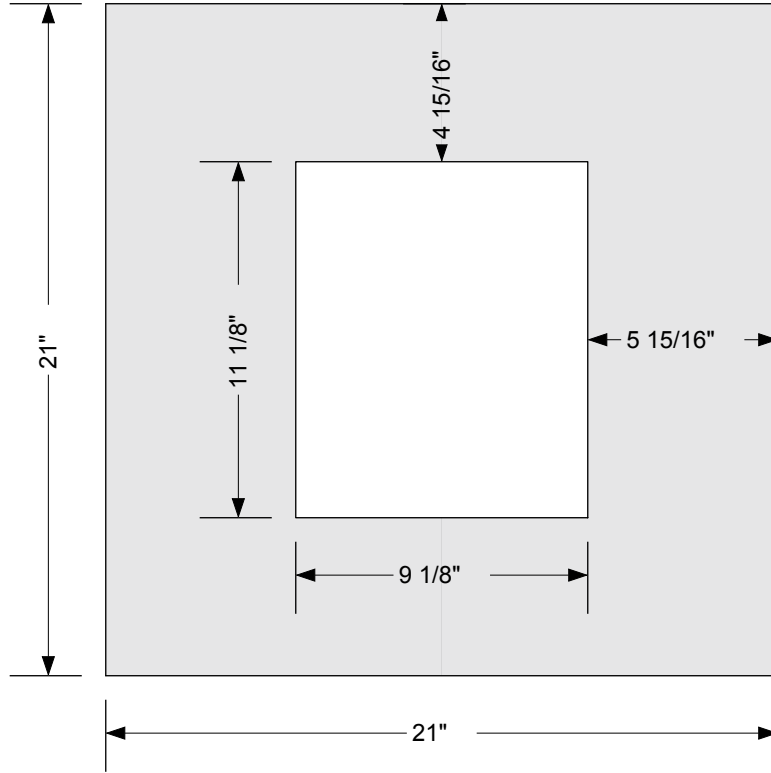
**Rythmik
Audio**

Inner Horizontal/Vertical Braces

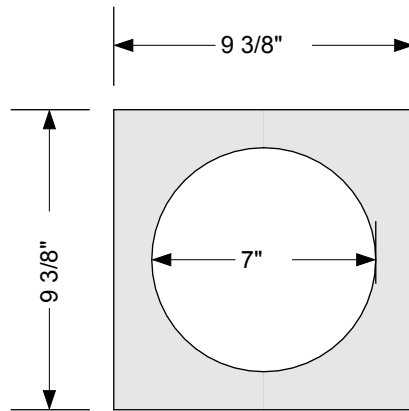
- Inner Horizontal Brace cut qty 1
- Inner Vertical Brace cut qty 2
- Circle cutout does not need to be exact in size or position

©2011 luma@svideo.org

Back



Inner Square Brace



Back/Inner Square Brace

- Inner Square Brace cut qty 4
- Circle cutout does not need to be exact in size or position